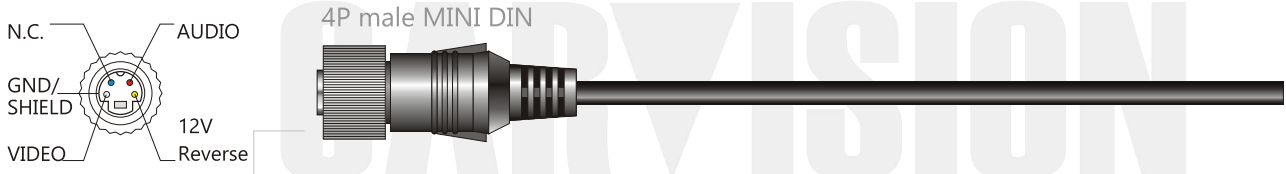
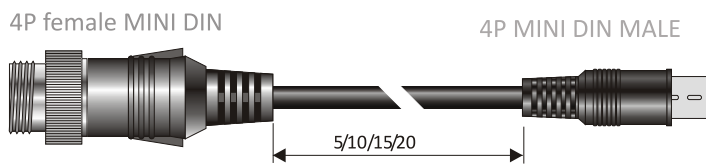


# ▶ 100 PHR/NHR Connection cable

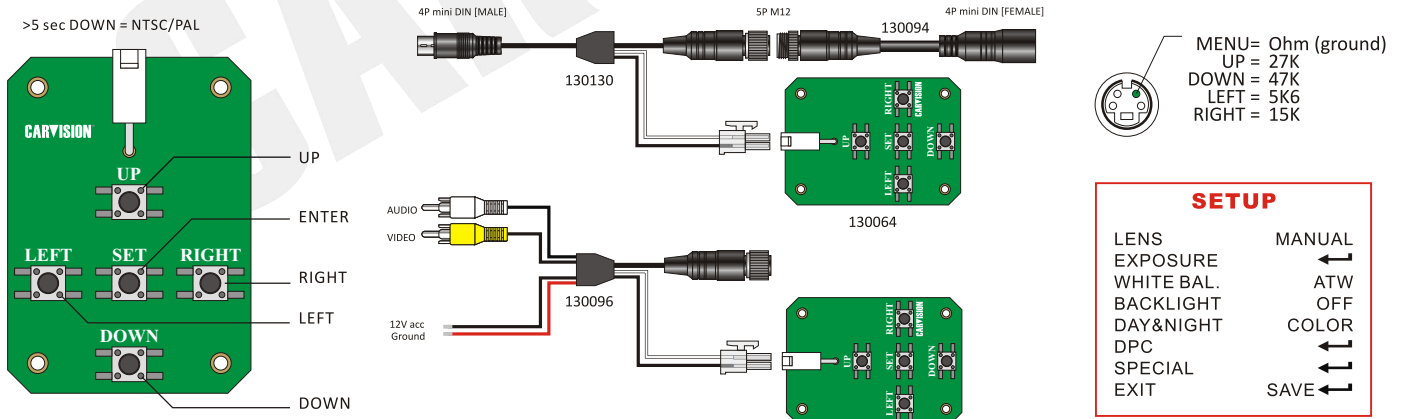


# ▶ Optional adapter cables



**DO NOT CONNECT** the green wire with ground otherwise, the **SETUP** menu will appear!  
 Connecting the green wire >5 sec with 47K to ground for switching between PAL <-> NTSC.  
 (Remove it after switching)

When you do want to enter the **SETUP** menu, use the optional accessories below:



SETUP	
LENS	MANUAL
EXPOSURE	←
WHITE BAL.	ATW
BACKLIGHT	OFF
DAY&NIGHT	COLOR
DPC	←
SPECIAL	←
EXIT	SAVE ←