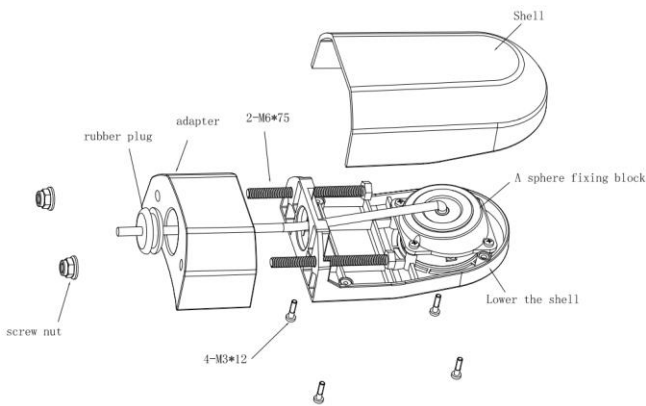


# CORNER CAM-180 FHD

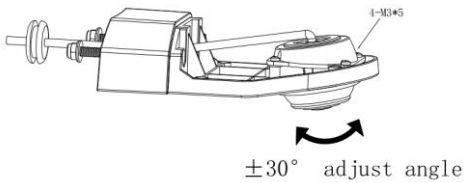
High resolution, 2.0Mega Pixel, 12V DC



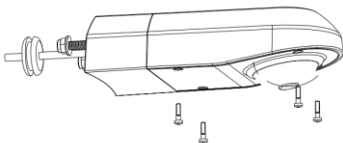
## Operation procedures:



1. Release the 4-M3\*12 screws, open the upper shell, pass the 2-M6\*75 hexagonal screws through the adapter and fix them on the vehicle using anti-loosening nuts.

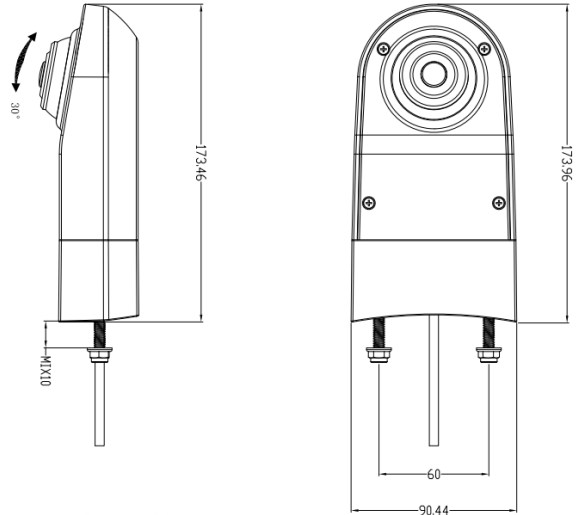


2. Loosen the 4-M3\*5 screws of the spherical fixing block, adjust the angle, once the angle is adjusted, tighten the screws.



3. Close the upper shell and tighten the 4-M3\*12 screws onto the lower shell.

## Dimensions:



## Specifications:

Image Sensor	1/2.8"
TV System	PAL/NTSC(Optional)
Effective Pixel	1920 (H) x 1080 (V)
Sensitivity	0.01 Lux/F1.2
Synchronization	Internal
Auto Gain Control (AGC)	Auto
Electronic Shutter	Auto
BLC	Auto
Infrared Spectrum	N/A
Infrared LED	N/A
Video Output	1 Vp-p, 75Ω composite, AHD
Mirror	N/A
ICR	N/A
Noise Reduction	3D
Lens	f1.8mm Megapixel
Power Supply	12V DC ±10%
Power Consumption	130mA(Max)
Dimensions (L x W x H)	174 x 90.5 x 57mm
Weatherproof/Water Proof	IP69K
Operating Temperature	-30°C to +70°C