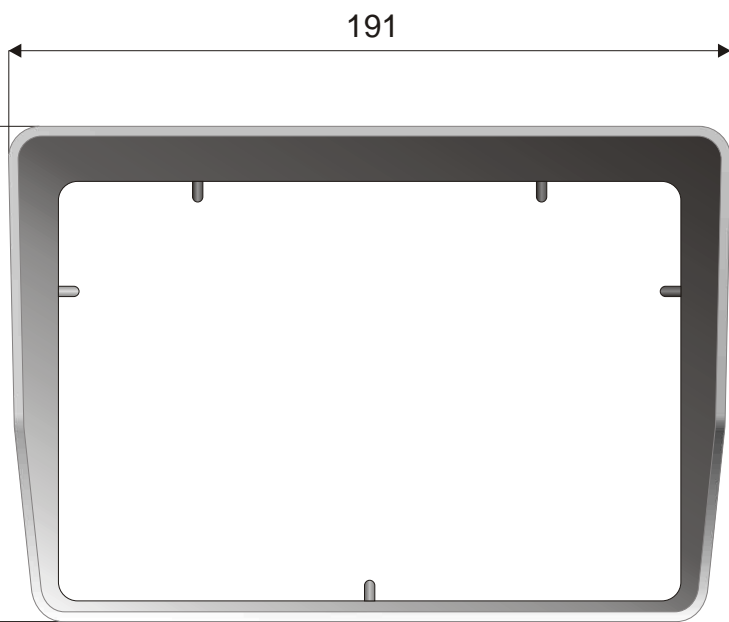
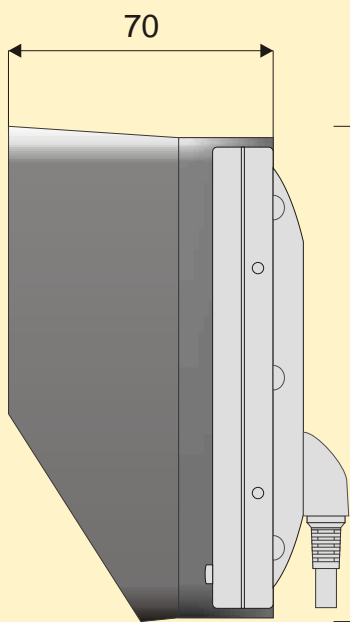
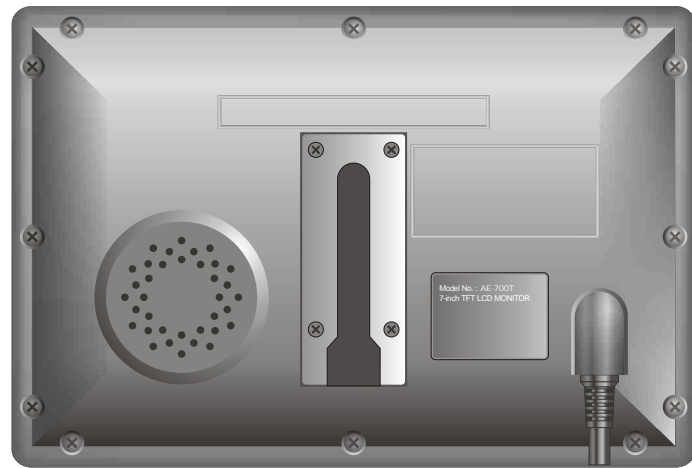
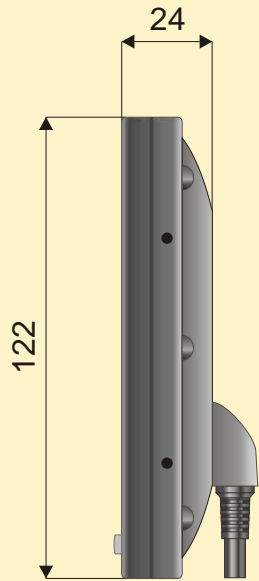
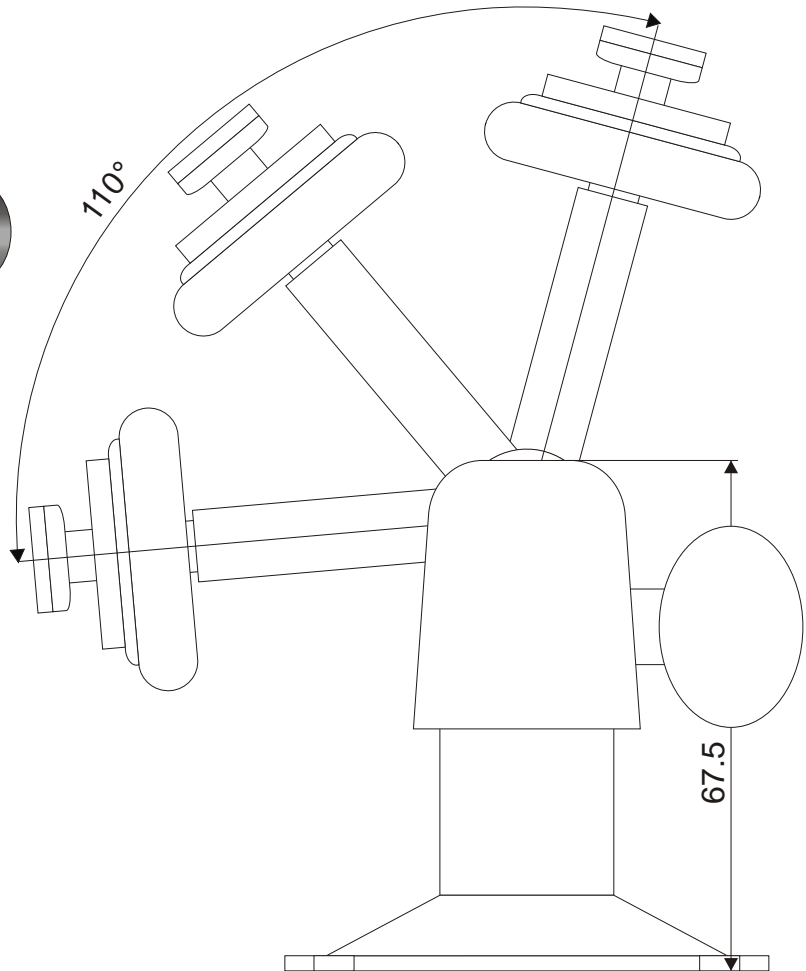
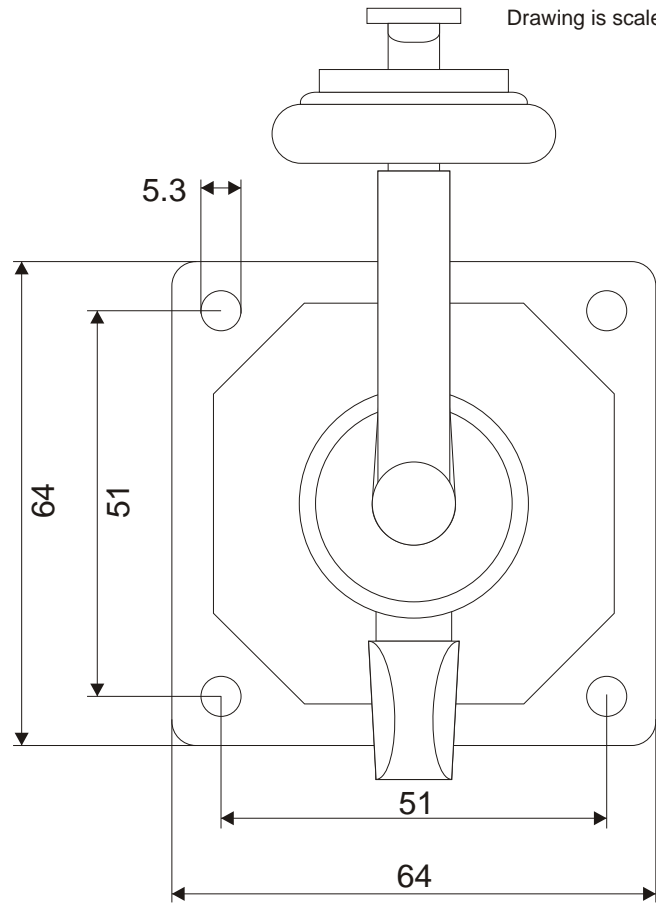
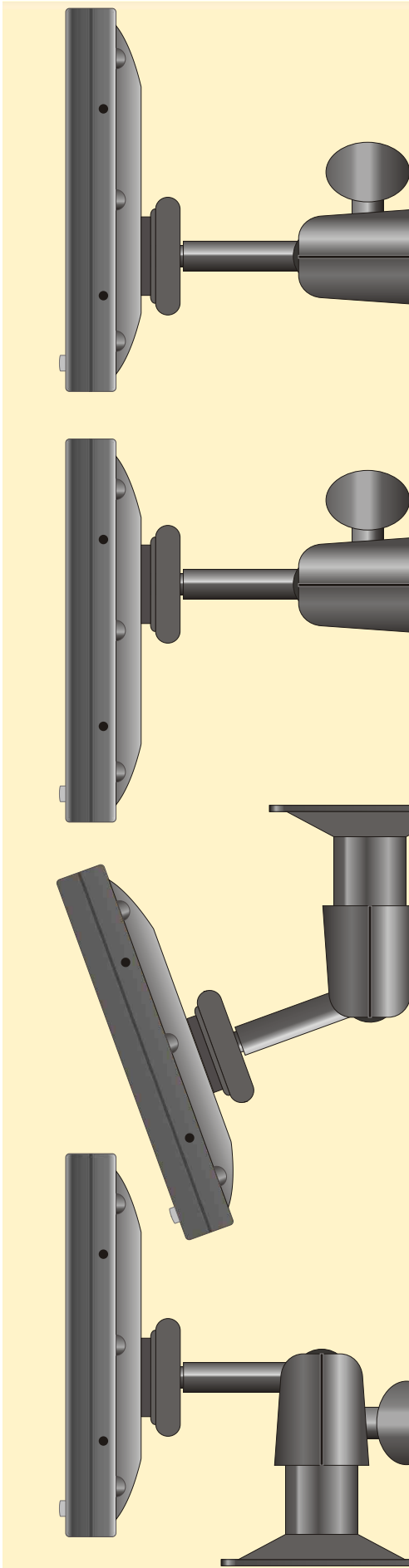


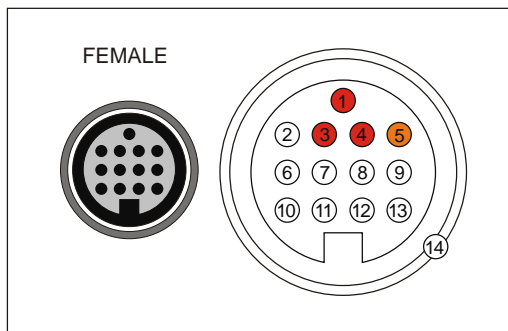
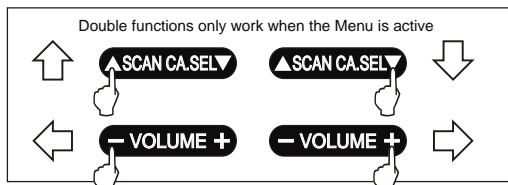
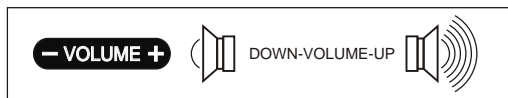
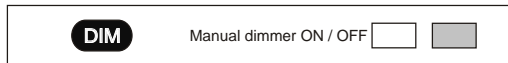
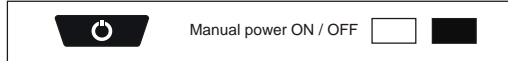
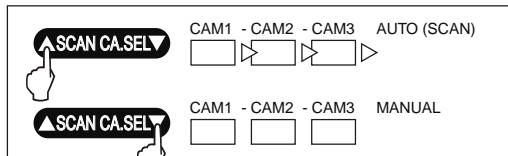
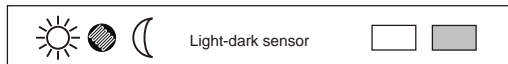


LCD size	7 inch (17.8 cm) 16:9 wide screen
Backlight	500 cd/m2
Backlight type	LED (long life time, immediately bright)
Resolution	234 (Vertical) x 1440 (Horizontal) = 336900 (Dots)
Video system	PAL / NTSC auto
Video signal	Composite CVBS (FBAS)
View angle	Left 60° Right 60° Up 40° Down 60°
Dimmer function	Auto / Manual
Camera inputs	3 (4P mini DIN, 2x normal + 1x normal / shutter camera)
Scan function	Indepent adjustable 0~9 seconds
Triggers	12~32 Volt DC (adjustable delay time 0~9 seconds)
Voltage	12~32 Volt DC
Current	Max. 650 mA
Operating temperature	-10°C ~ +60°C
Menu languages	English / German / Dutch / French / Italien
Feature(s)	Rubber painted, Lighted buttons
Extras included	Heavy duty monitor stand, Rubber sun shield

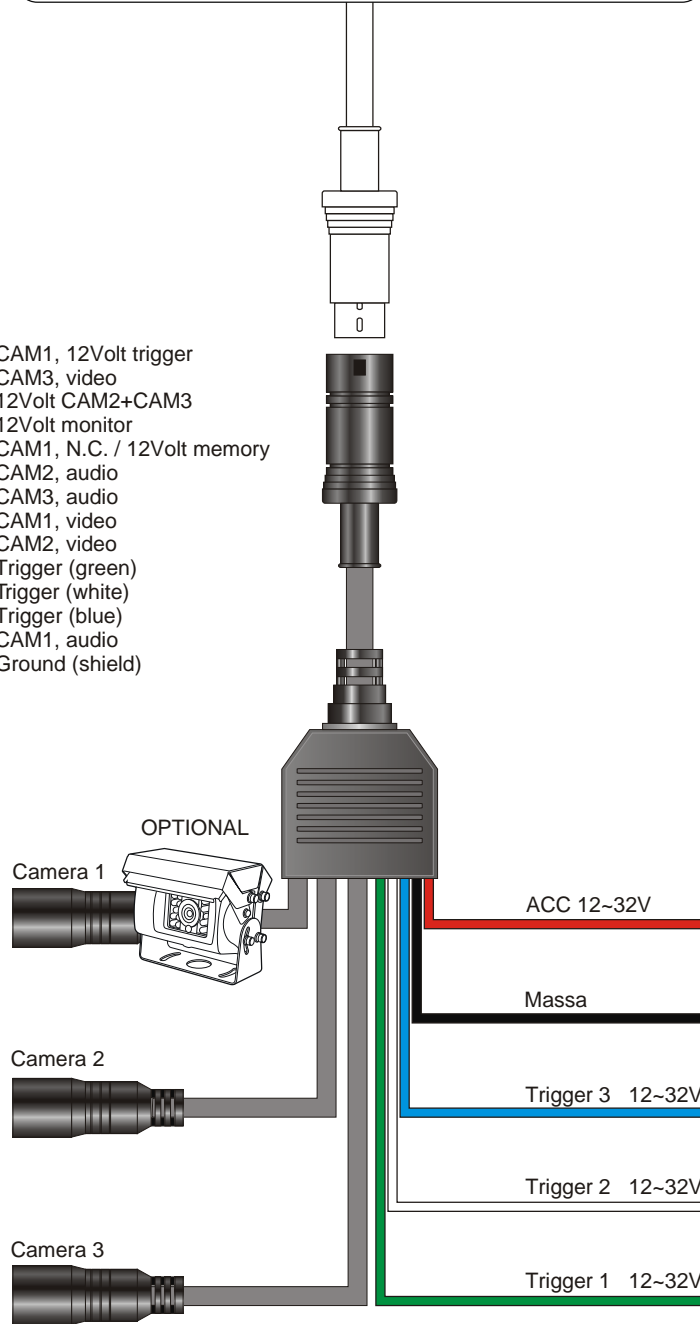
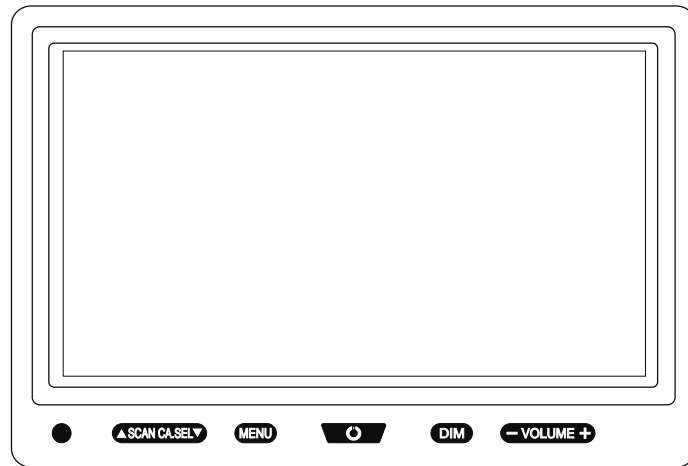
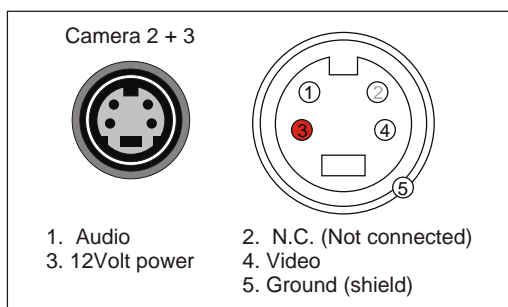
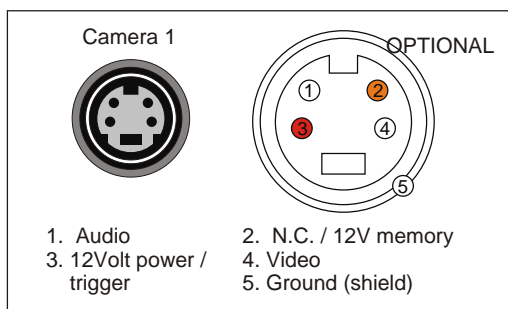


Drawing is scale 1:1





1. CAM1, 12Volt trigger
2. CAM3, video
3. 12Volt CAM2+CAM3
4. 12Volt monitor
5. CAM1, N.C. / 12Volt memory
6. CAM2, audio
7. CAM3, audio
8. CAM1, video
9. CAM2, video
10. Trigger (green)
11. Trigger (white)
12. Trigger (blue)
13. CAM1, audio
14. Ground (shield)



FUNCTION	
DIMMER	AUTO
LANGUAGE	ENGLISH
DIRECTION	0°
RESET	>

FUNCTION	DIMMER	OFF / AUTO
	LANGUAGE	ENGLISH
	DIRECTION	0° / 180°
	RESET	>

PICTURE	
CONTRAST	50
BRIGHTNESS	50
COLOR	50
TINT	50

PICTURE	CONTRAST	0 - 100
	BRIGHTNESS	0 - 100
	COLOR	0 - 100
	TINT	0 - 100

CAMERA	
CAM 1 SCAN	3
CAM 2 SCAN	3
CAM 3 SCAN	3
CAM 1 TRIG	3
CAM 2 TRIG	3
CAM 3 TRIG	3

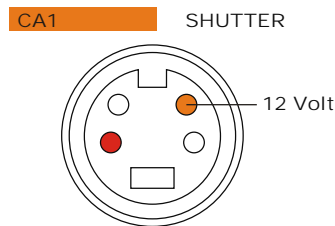
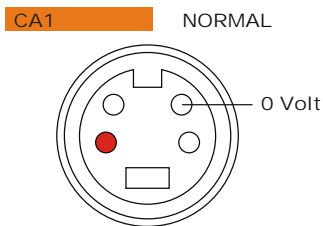
CAMERA	CAM 1 SCAN	0 - 9
	CAM 2 SCAN	0 - 9
	CAM 3 SCAN	0 - 9
	CAM 1 TIME	0 - 9
	CAM 2 TIME	0 - 9
	CAM 3 TIME	0 - 9

CAMERA	
CAM 1 N/M	NORMAL
CAM 2 N/M	NORMAL
CAM 3 N/M	NORMAL
CAM 1 DIST	OFF
CAM 2 DIST	OFF
CAM 3 DIST	OFF

CAMERA	CAM 1 N/M	NORMAL / MIRROR
	CAM 2 N/M	NORMAL / MIRROR
	CAM 3 N/M	NORMAL / MIRROR
	CAM 1 DIST	ON / OFF
	CAM 2 DIST	ON / OFF
	CAM 3 DIST	ON / OFF

CAM MODUS	
CA1	NORMAL
CA3	ON

CAM MODUS	CA1	NORMAL / SHUTTER
	CA3	ON / OFF



ONLY CAM1 can be programmed

The default setting is: NORMAL

For normal cameras, it's not allowed to program this function from "NORMAL" into "SHUTTER"

(It will damage a normal camera when shutter is activated)

For a camera with a shutter, it's needed to programme the function from "NORMAL" into "SHUTTER"

