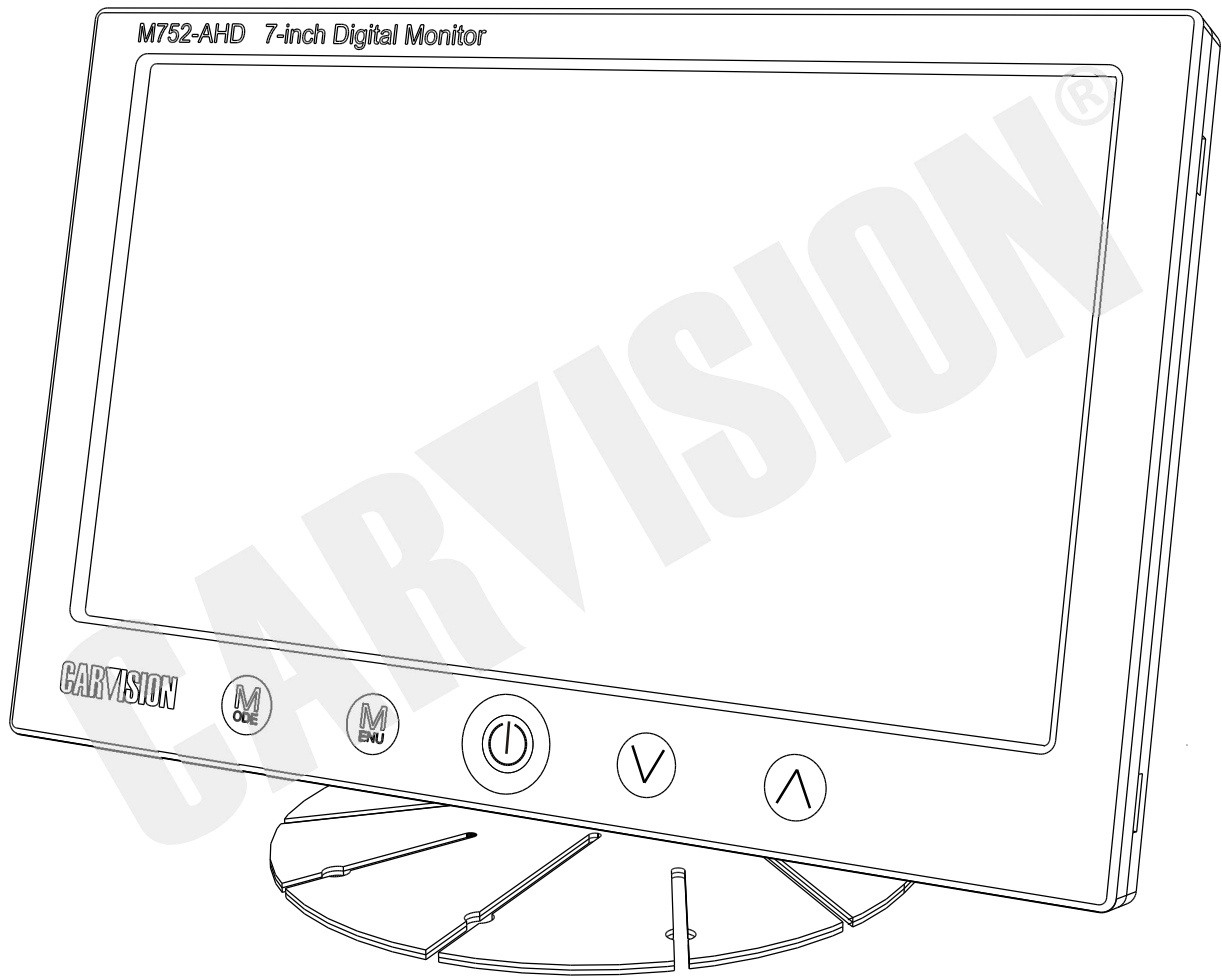


# Manual



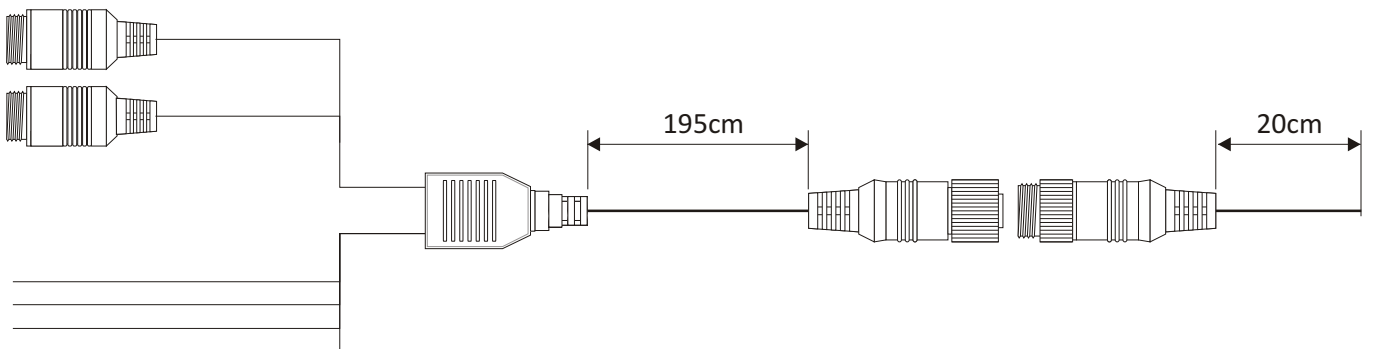
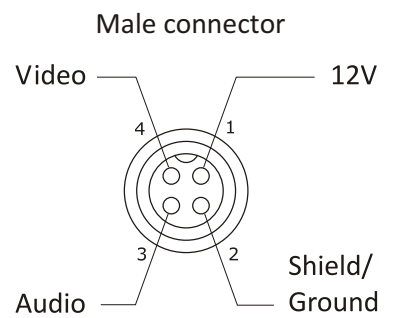
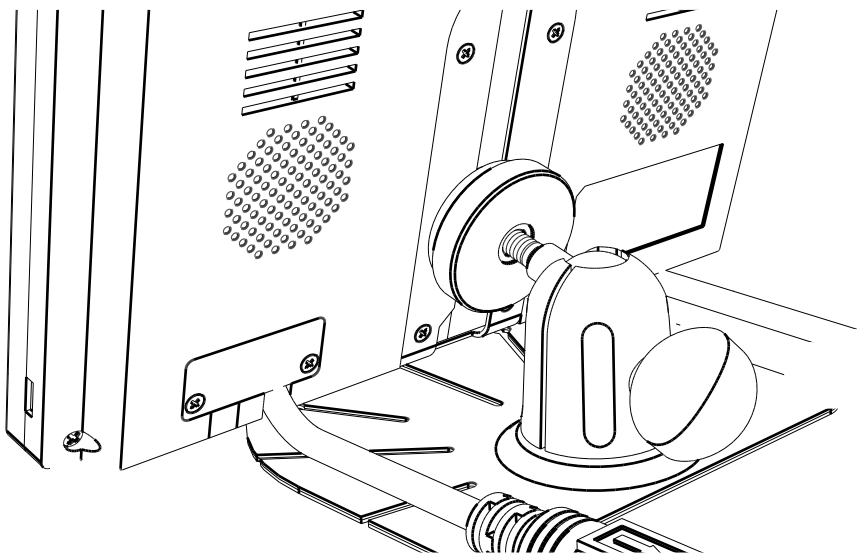
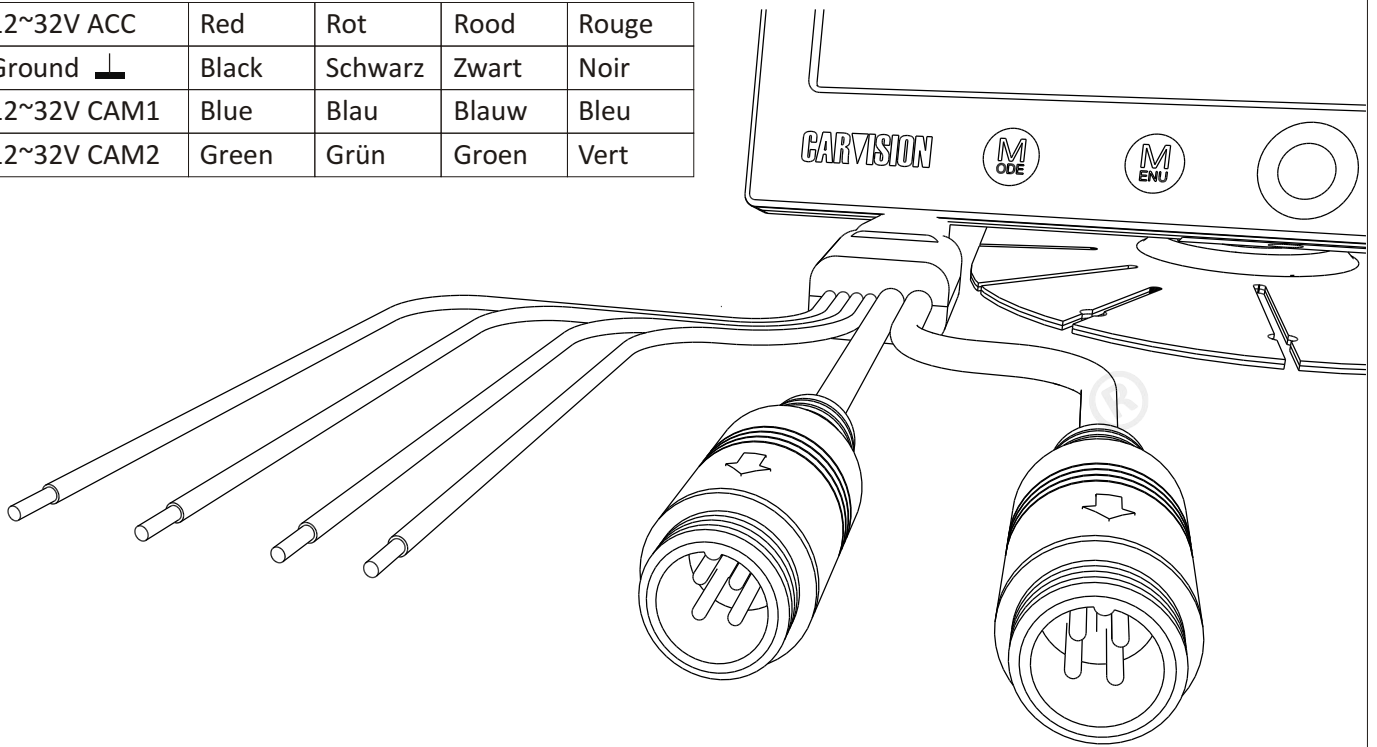
# M752-AHD

7 inch Digital High Resolution Monitor

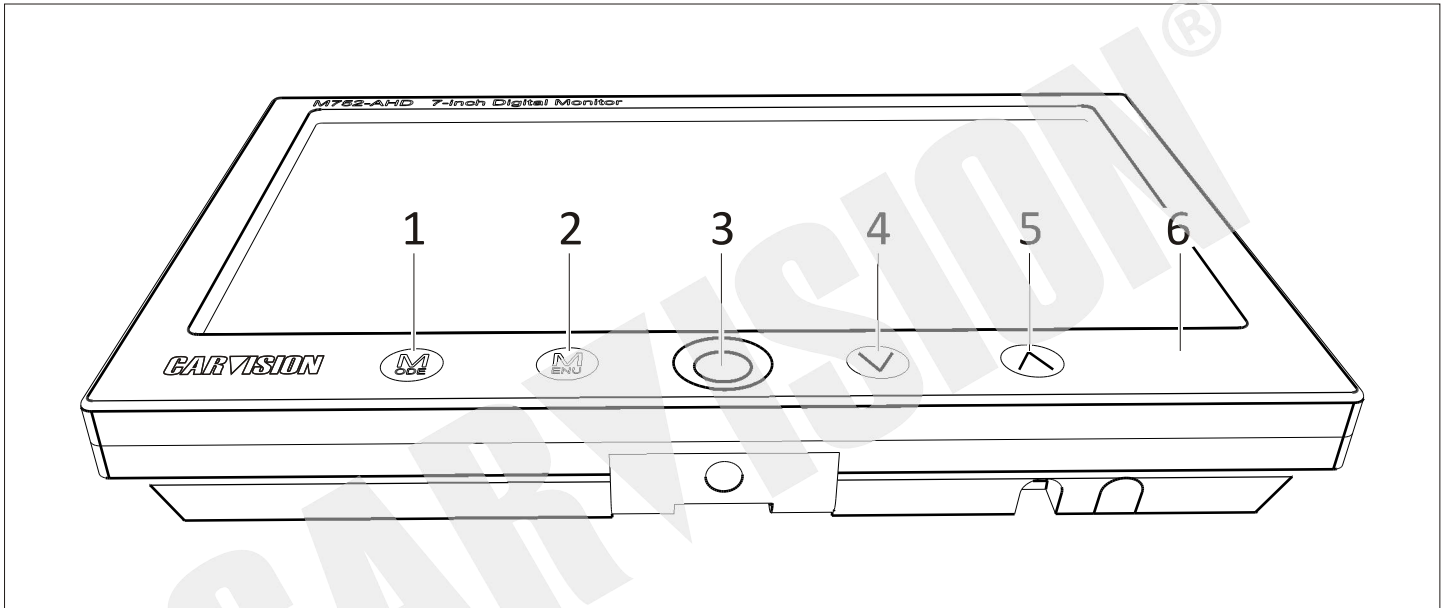
**CARVISION®**

# Monitor Connection

	GB	D	NL	FR
12~32V ACC	Red	Rot	Rood	Rouge
Ground	Black	Schwarz	Zwart	Noir
12~32V CAM1	Blue	Blau	Blauw	Bleu
12~32V CAM2	Green	Grün	Groen	Vert



# Monitor Control



1. MODE	Switch between CAM1 and CAM2	Go DOWN when menu is selected
2. MENU	Enter the menu, keep touching for the next menu	
3. POWER	Monitor ON/OFF (Last Position Memory)	
4. DOWN	Volume down	Change setting when menu is selected
5. UP	Volume up	Change setting when menu is selected
6. Light sensor	AUTO / OFF	

**GB**

**D**

**NL**

**FR**

VIDEO	
<b>BRIGHTNESS</b>	<b>50</b>
CONTRAST	50
SATURATION	50
TINT	50
RESET	↕

VIDEO	
HELLIGHEIT	50
<b>KONTRAST</b>	<b>50</b>
FARBE	50
TINT	50
RESET	↕

VIDEO	
<b>HELDERHEID</b>	<b>50</b>
CONTRAST	50
KLEUR	50
TINT	50
RESET	↕

IMAGE	
<b>LUMINOSITE</b>	<b>50</b>
CONTRASTE	50
COULEUR	50
TEINTE	50
USINE	↕

FUNCTION	
<b>V1 GUIDELINE</b>	<b>ON</b>
V2 GUIDELINE	OFF
V1 DELAY	3S
V2 DELAY	3S
V1 SHUTTER	ON
V2 SHUTTER	OFF

FUNKTION	
<b>V1 LINIEN</b>	<b>AN</b>
V2 LINIEN	AUS
V1 DELAY	3S
V2 DELAY	3S
V1 SHUTTER	AN
V2 SHUTTER	AUS

FUNCTIE	
<b>V1 HULPLIJNEN</b>	<b>AAN</b>
V2 HULPLIJNEN	UIT
V1 VERTRAGING	3S
V2 VERTRAGING	3S
V1 SHUTTER	AAN
V2 SHUTTER	UIT

FONCTION	
<b>V1 LIGNE</b>	<b>SUR</b>
V2 LIGNE	DE
V1 RETARD	3S
V2 RETARD	3S
V1 SHUTTER	SUR
V2 SHUTTER	DE

SYSTEM	
<b>LANGUAGE</b>	<b>ENGLISH</b>
ROTATE	OFF
V1 MIRROR	OFF
V2 MIRROR	OFF
AUTODIM	ON
BACKLIGHT	100

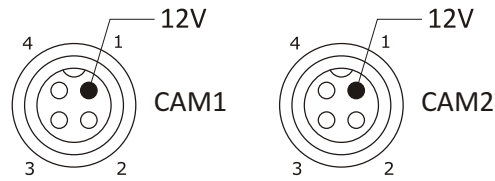
SYSTEM	
<b>SPRACHE</b>	<b>DEUTSCH</b>
ROTATICH	AUS
V1 SPIEGELUNG	AUS
V2 SPIEGELUNG	AUS
AUTO DIM	AN
HINTERLEUCH	100

SYSTEEM	
<b>TAAL</b>	<b>NEDERLANDS</b>
OMDRAAIEN	UIT
V1 SPIEGEL	UIT
V2 SPIEGEL	UIT
AUTO DIMMER	AAN
BACKLIGHT	100

SYSTEME	
<b>LANGUE</b>	<b>FRANCAIS</b>
TOURNER	DE
V1 MIROIR	DE
V2 MIROIR	DE
AUTO DIMMER	SUR
BACKLIGHT	100

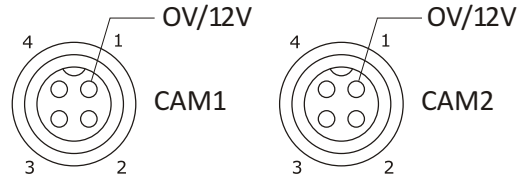
# Shutter ON /OFF

FUNCTION	
V1 GUIDE LINE	ON
V2 GUIDELINE	OFF
V1 DELAY	3S
V2 DELAY	3S
<b>V1 SHUTTER</b>	<b>OFF</b>
V2 SHUTTER	OFF



Camera 1 and 2 will both be powered as soon as ACC is ON  
**ADVANTAGE:** Almost no visable switching delay

FUNCTION	
V1 GUIDE LINE	ON
V2 GUIDELINE	OFF
V1 DELAY	3S
V2 DELAY	3S
<b>V1 SHUTTER</b>	<b>ON</b>
V2 SHUTTER	ON



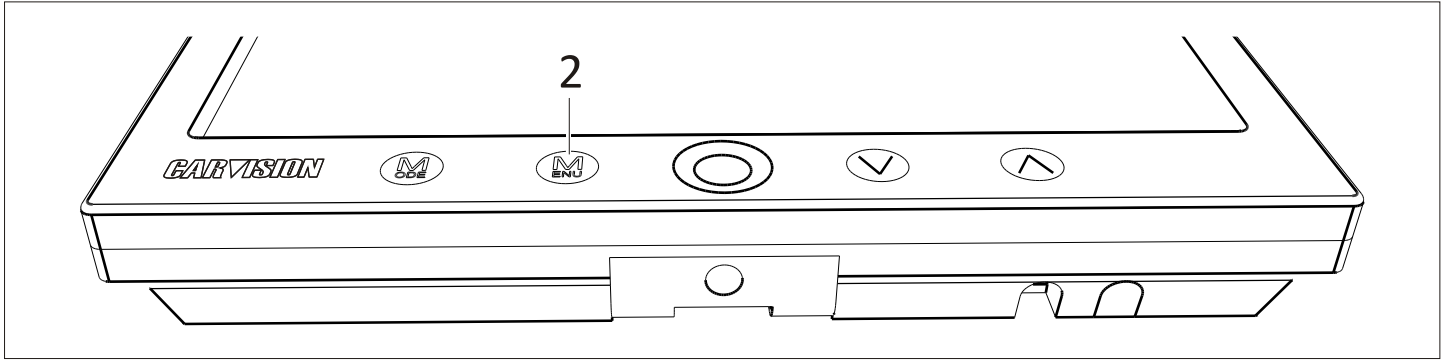
Camera 1 and 2 will only be powered as soon as a camera is selected  
**ADVANTAGE:** You can select two shutter cameras

## Monitor specifications

Model	M752-AHD
LCD	7 inch 16:9 IPS
Backlight	1000 cdm
Dimmer	AUTO / OFF
Resolution	1024 x 600
Video signal	CVBS (PAL-NTSC) / AHD (720P-1080P)
Camera input	2x 4P aviation
Camera power	ACC -> ON / CAM Selected -> ON
Camera trigger	2x 12~32V
Monitor power	12~32V, Max 450mA (2A fuse)
Operating temp.	-15°C ~ +70°C
Menu languages	English/Deutsch/Nederlands/Français
Size	176mm x 116mm x 22mm
Weight	400 Gram
Extras included	Monitor stand

**CARVISION®**

# Double function MENU button



Key lock	LONG PRESS MENU > 5 seconds	All keys will be locked All keys will be unlocked
----------	-----------------------------	--

Parking line adjust	Press menu key while lines are active	
---------------------	---------------------------------------	--