

# CARVISION<sup>®</sup> User Manual

**OEM RADIO:Camera Interface for BMW**

**system with 6.5"/8.8"/10.25" screen**



<b>Model name</b>	CZ-NBT-CAMIF
<b>Released Date</b>	05-2020
<b>Manual Version</b>	1.0
<b>Language</b>	English

# 1. Car Compatibility Chart

<b>Car Models</b>	<b>Production Year</b>		<b>Car Models</b>	<b>Production Year</b>
<b>1 Series</b>	<b>2013-2017</b>		<b>X1</b>	<b>2013-2017</b>
<b>2 Series</b>	<b>2013-2017</b>		<b>X3</b>	<b>2013-2017</b>
<b>3 Series</b>	<b>2013-2017</b>		<b>X4</b>	<b>2013-2017</b>
<b>4 Series</b>	<b>2013-2017</b>		<b>X5</b>	<b>2013-2017</b>
<b>5 Series</b>	<b>2013-2017</b>		<b>MINI</b>	<b>2013-2015</b>
<b>6 Series</b>	<b>2013-2017</b>		<b>i3</b>	<b>2018</b>
<b>7 Series</b>	<b>2013-2017</b>		<b>Rolls-Royce</b>	<b>2018</b>

# Contents

<b>1.Features.....</b>	<b>4</b>
<b>2.Specifications.....</b>	<b>5</b>
<b>3.Packing Lists.....</b>	<b>6</b>
<b>4.Wiring Diagram.....</b>	<b>7</b>
<b>5.DIP Switch Settings.....</b>	<b>8</b>
<b>6.Operation Instructions.....</b>	<b>10</b>
<b>7.Safety Considerations.....</b>	<b>16</b>

# 1. Features:

- A. Support Intelligent Parking Assist System including PDC (Parking Distance Control) and FPG (Flexible Parking Guidelines)**
- B. Support further software update by TF Card**
- C. Support adjust FPG position for 8.8" 10.25" screen**
- D. Supply power for rear view camera**
- E. Supply power for DVR device**
- F. Support automatically switched to front view camera, auto trigger after R to D gear**

## 2. Specifications

### A. Interface I/O Spec:

**Input: CVBS \*4 (Front/Rear View Camera, 360, Video), VGA \*1 (Specific 360 Panoramic System)**

**Output: LVDS Output**

### B. Power Spec:

**Input Power: 9V-16V**

**Consumption: 6W**

### C. Package Content:

**Interface Unit \* 1**

**Main Power Cable \* 1**

**LVDS Cable \* 1**

## 3. Packing Lists



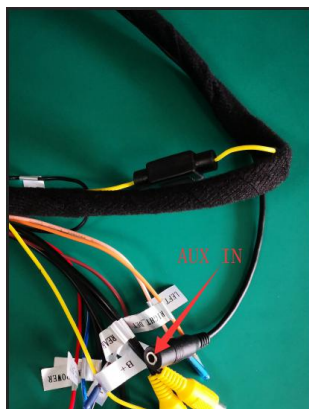
**Camera Interface**



**LVDS Cables**



**Power Harness**



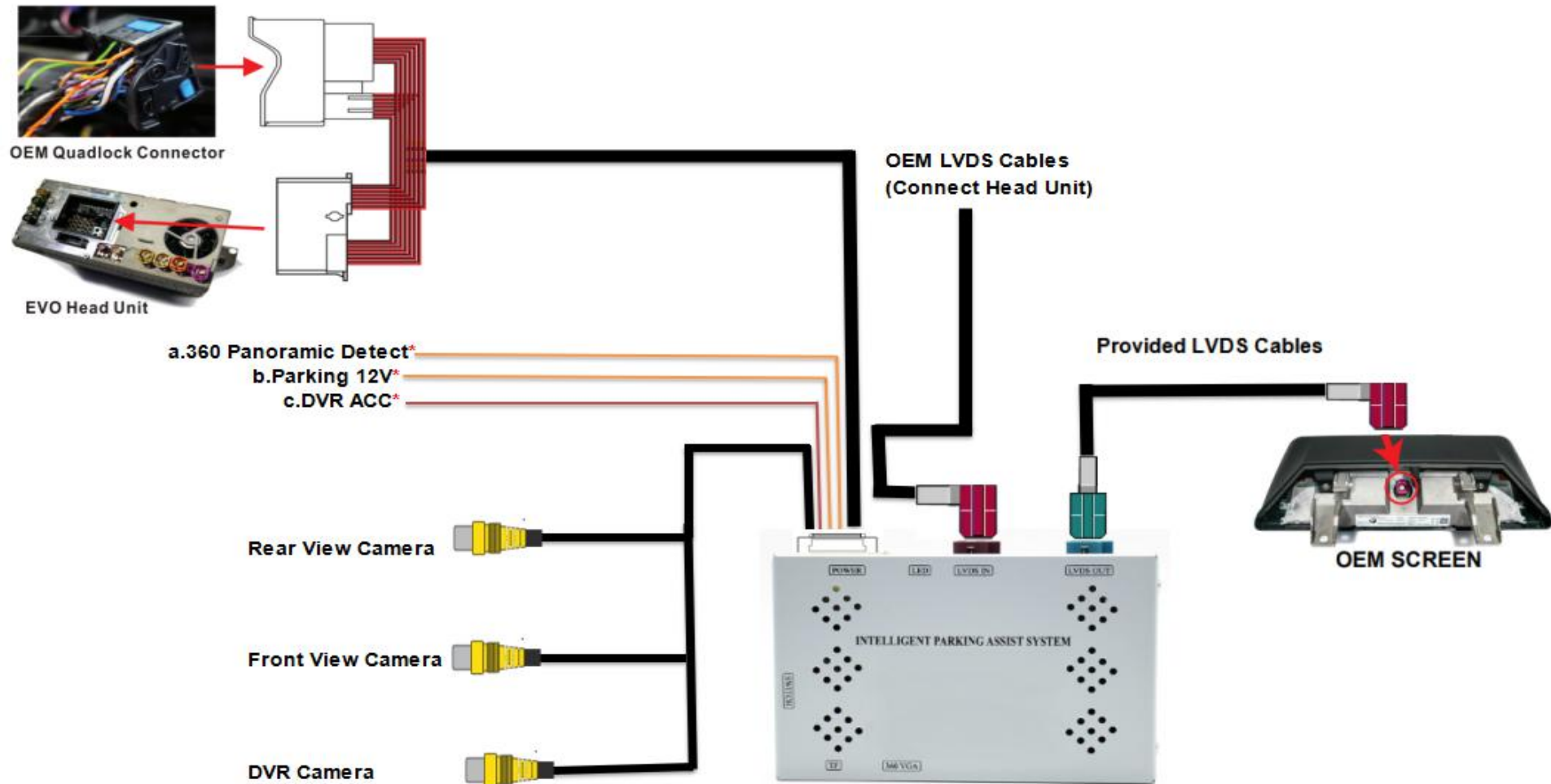
**AV Input Cable**

**Optional**



**AUX IN USB adapter**

## 4. Wiring Diagram



- \* a. Connect to 360 Panoramic Detect when install 360, otherwise don't have to.
- \* b. Power supply for camera
- \* c. Keep 12V power supply

## 5. DIP Switch Settings



ON (▼) OFF(▲)

Car Model		No.1	No.2	No.3
2015-2016 6.5 inch NBT		OFF(▲)	OFF(▲)	OFF(▲)
2013-2014 6.5 inch NBT		ON (▼)	OFF(▲)	OFF(▲)
2017 1 series		OFF(▲)	ON(▼)	ON(▼)
2013-2016 MINI 6.5 inch		ON(▼)	ON(▼)	ON(▼)
2013-2016 8.8 inch/10.2 inch without OEM rear view		OFF(▲)	OFF(▲)	ON(▼)
2013-2016 8.8 inch/10.2 inch with OEM rear view		ON(▼)	OFF(▲)	ON(▼)
PIN	ON (▼)	OFF(▲)		
4	Turn off PDC	Turn on PDC		
5	Turn off dynamic guideline	Turn on dynamic guideline		
6	-	-		
7	Turn on front view	Turn off front view		
8	-	-		



## 5.2 DVR Switching

Long time press MENU for 2 seconds to enter DVR if DVR available.

